



IC COUNTERBALANCED
TRUCK



3600~
8000 lbs
PNEUMATIC

Tailift



TOYOTA INDUSTRIES GROUP

TRUCK SPECIFICATIONS

SERIES 3600~8000 lbs

PFD18 PFG18 PFD25 PFG25 PFD30 PFG30 PFD35 PFG35 PFD36HD PFG36HD

CHARACTERISTICS

Load Capacity (Measured from Load Center, Max. Fork Height)	Q	130" Duplex Mast w/o Sideshift	lbs	3600	5000	6000	7000	8000	
		189" Triplex Mast w/ Sideshift	lbs	3260	4620	5500	5720	7220	
Load Center	C	Distance	in	24	24	24	24	24	
Drive Power Type		Electric, Diesel, Gasoline, LPG		Diesel	LPG	Diesel	LPG	Diesel	LPG
Operator Type		Pedestrian, Standing, Seated		Seated	Seated	Seated	Seated	Seated	
Tire Type		P=Air Pneumatic, S=Solid Pneumatic, C=Cushion	F/R	S / S	S / S	S / S	S / S	S / S	

DIMENSIONS

3-Stage Mast	h3	Maximum Lift Height (Forks)	in	189	189	189	189	189
	h5	Full Free Lift w/ LBR	in	36.4	37.2	37.2	37.2	37.2
Mast Tilting Range		Forward(α)/Backward(β)	deg.	6° / 6°	6° / 6°	6° / 6°	6° / 6°	6° / 6°
Forks (Standard)		Thickness(s)×Width(e)×Length(l)	in	1.4 x 3.9 x 48	1.6 x 4.8 x 48	1.8 x 4.8 x 48	2.0 x 4.8 x 48	2.0 x 4.8 x 48
Carriage Width	b3		in	36.2	40.3	45.3	45.3	45.3
Overall Dimensions	L2	Length to Face of Forks	in	94.3	104.7	111	116.1	116.1
	B	Overall Width / with Dual Tires	in	42 / N/A	45.4 / 61.6	50 / 66.2	50 / 66.2	50 / 66.2
	h1	Height, Mast Lowered	in	87.3	87.3	88.1	88.1	88.1
	h4	Height, Mast Extended (w/ LBR)	in	237.8	237.8	237.8	237.8	237.8
	h6	Height of Overhead Guard	in	83.5	85	85	85.6	85.6
Load Backrest	h7	Seat Height	in	43.7	44.5	44.9	44.9	44.9
	h8	Height of Load Backrest	in	48	48	48	48	48
Aisle Width	Ast	for Pallets 31x47 (800x1200) Crossways	in	143.3	149.2	156.1	164.4	164.4
		for Pallets 39x47 (1000x1200) Lengthways	in	151.1	157	163.9	172.2	172.2
Turning Radius	R	Minimum From Outermost Edge	in	82.7	87.8	94.6	102.4	102.4
Load Distance	X	From Center of Front Axle to Fork	in	21.2	22	22.2	22.6	22.6

CHASSIS

Wheels		Number (X=Driven Wheels)	F/R	2X / 2	2X / 2	2X / 2	2X / 2	2X / 2
Solid Pneumatic Tire Size		Front		6.50-10-10	7.00-12-12	8.15-15-14	8.15-15-14	8.15-15-14
		Rear		5.00-8-8	6.00-9-10	6.50-10-10	6.50-10-10	6.50-10-10
Wheelbase	Y	Distance	in	54	61	65	73	73
Tread		Center Of Tires, Front	in	35.4	38.2 (52.95)	41.5 (57.4)	41.5 (57.4)	41.5 (57.4)
		Center Of Tires, Rear	in	36.4	38.8	38.8	38.8	38.8
Ground Clearance	m1	At the Lowest Point, Loaded	in	4.7	4.7	4.7	4.7	4.7
	m2	Center of Wheelbase, Loaded	in	7.1	7.7	8.7	8.7	8.7
Service Brake		Control/Operation Method		Foot/Hydraulic	Foot/Hydraulic	Foot/Hydraulic	Foot/Hydraulic	Foot/Hydraulic
Parking Brake		Control/Operation Method		Hand/Mechanical	Hand/Mechanical	Hand/Mechanical	Hand/Mechanical	Hand/Mechanical
Service Weight		Standard / with Dual Tires	lbs	7798 / 7842	9332 / 8991	11090 / 10130	10771 / 10473	11277 / 10885

POWERTRAIN

	Type	EFB-130D31L		115D31R		EFB-130D31L		115D31R		EFB-130D31L		115D31R	
		V	12	12	12	12	12	12	12	12	12		
Battery	Voltage	V	12	12	12	12	12	12	12	12	12	12	12
	Capacity	Ah/5hr	85Ah/20hr	64	85Ah/20hr	64	85Ah/20hr	64	85Ah/20hr	64	85Ah/20hr	64	85Ah/20hr
	Battery Size (LxWxH)	in	12 x 6.8 x 8.9	12 x 6.8 x 8.9	12 x 6.8 x 8.9	12 x 6.8 x 8.9	12 x 6.8 x 8.9	12 x 6.8 x 8.9	12 x 6.8 x 8.9	12 x 6.8 x 8.9	12 x 6.8 x 8.9	12 x 6.8 x 8.9	12 x 6.8 x 8.9
	Weight	lbs	48.4	49.8	48.4	49.8	48.4	49.8	48.4	49.8	48.4	49.8	48.4
Combustion Engine	Manufacturer		KUBOTA		KUBOTA		KUBOTA		KUBOTA		KUBOTA		
	Model		V2403-CR	WG2503-L-E3	V2403-CR	WG2503-L-E3	V2403-CR	WG2503-L-E3	V2403-CR	WG2503-L-E3	V2403-CR	WG2503-L-E3	
	Rated Output (Horsepower)	HP	57.1	61.6	57.1	61.6	57.1	61.6	57.1	61.6	57.1	61.6	
	Rated Speed	rpm	2400	2700	2400	2700	2400	2700	2400	2700	2400	2700	
	Number of Cylinders / Displacement	No. / L.	4/2.434	4/2.491	4/2.434	4/2.491	4/2.434	4/2.491	4/2.434	4/2.491	4/2.434	4/2.491	
	Fuel Consumption	g/kWh	239@2400	273.1@2700	239@2400	273.1@2700	239@2400	273.1@2700	239@2400	273.1@2700	239@2400	273.1@2700	
Transmission	Type		Powershift	Powershift	Powershift	Powershift	Powershift	Powershift	Powershift	Powershift	Powershift		
	Number of Speeds (Forward/Reverse)		1 / 1	1 / 1	1 / 1	1 / 1	1 / 1	1 / 1	1 / 1	1 / 1	1 / 1		

* This sheet is for reference only & products and specifications are subject to improvement and change without prior notices.

* All values shown are for standard lift truck with standard equipment. If the truck is supplied with options, values may change.

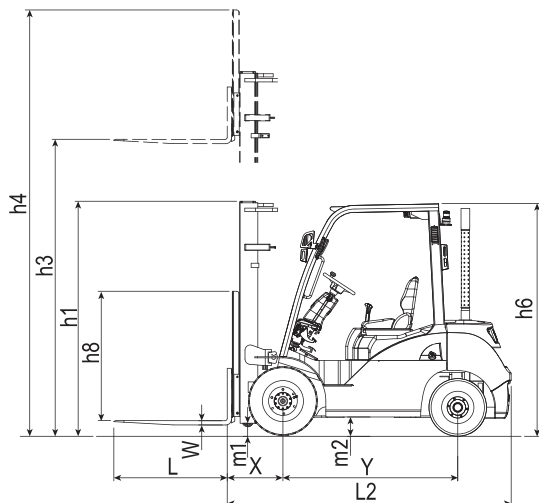
* All values given may vary due to the motor and system tolerances and represent nominal values obtained under typical operating conditions.

* The service weight of the lift truck will vary with parts upgrades or product improvements/revisions.

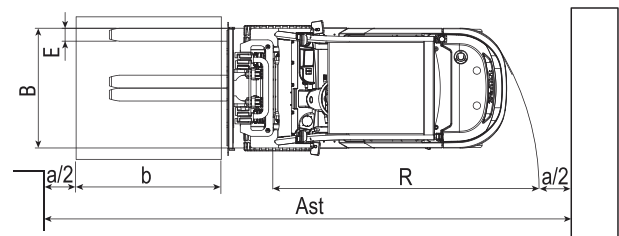
MAST SPECIFICATIONS

Mast Type	Mast Height (Max. Fork Height)		Fully Lowered Height		Fully Extended Height				Free Lift				Single Tires w/ Sideshift			
					Without STD Load Backrest		With STD Load Backrest		Without STD Load Backrest		With STD Load Backrest		Tilting Range		Load Capacity	
	in	mm	in	mm	in	mm	in	mm	in	mm	in	mm	FWD	BWD	24 in	600 mm
													deg.	deg.	lbs	kgs
PFD18 / PFG18																
2 Stage	130	3300	86.9	2208	158.2	4019	178.0	4520	0.0	0	0.0	0	6	12	3630	1650
	157	4000	100.7	2558	185.8	4719	205.5	5220	0.0	0	0.0	0	6	6	3520	1600
2 Stage (FFL)	130	3300	86.9	2208	151.3	3844	178.0	4520	54.9	1395	35.2	895	6	12	3630	1650
	157	4000	76.8	1951	185.5	4711	205.2	5212	45.9	1165	26.2	665	6	6	3410	1550
3 Stage (FFL)	177	4500	83.4	2118	205.1	5209	224.8	5710	52.2	1325	32.5	825	6	6	3300	1500
	189	4800	87.3	2218	218.1	5539	237.8	6040	56.1	1425	36.4	925	6	6	3260	1480
PFD25 / PFG25																
2 Stage	130	3300	86.8	2205	158.2	4019	178.0	4520	0.0	0	0.0	0	6	12	5170	2350
	157	4000	100.6	2555	185.8	4719	205.5	5220	0.0	0	0.0	0	6	6	5060	2300
2 Stage (FFL)	130	3300	86.8	2205	151.3	3844	178.0	4520	42.5	1080	37.2	945	6	12	5170	2350
	157	4000	76.7	1948	178.6	4536	205.2	5212	38.3	972	26.7	678	6	6	4950	2250
3 Stage (FFL)	177	4500	83.3	2115	198.2	5034	224.8	5710	44.8	1138	33.3	845	6	6	4840	2200
	189	4800	87.2	2215	211.2	5364	237.8	6040	48.7	1238	37.2	945	6	6	4620	2100
PFD30 / PFG30																
2 Stage	130	3300	87.8	2229	158.4	4023	178.0	4520	0.0	0	0.0	0	6	12	6270	2850
	157	4000	101.5	2579	185.9	4723	205.5	5220	0.0	0	0.0	0	6	6	6270	2850
2 Stage (FFL)	130	3300	87.8	2229	155.0	3938	178.0	4520	42.5	1080	37.2	945	6	12	6270	2850
	157	4000	77.6	1972	182.3	4630	205.2	5212	38.3	972	26.7	678	6	6	6050	2750
3 Stage (FFL)	177	4500	84.2	2139	201.9	5128	224.8	5710	44.8	1138	33.3	845	6	6	5720	2600
	189	4800	88.1	2239	214.9	5458	237.8	6040	48.7	1238	37.2	945	6	6	5500	2500
PFD35 / PFG35																
2 Stage	130	3300	87.8	2229	158.4	4023	178.0	4520	0.0	0	0.0	0	6	12	7000	3180
	157	4000	101.5	2579	185.9	4723	205.5	5220	0.0	0	0.0	0	6	6	7000	3180
2 Stage (FFL)	130	3300	87.8	2229	158.4	4023	178.0	4520	42.5	1080	37.2	945	6	12	7000	3180
	157	4000	77.6	1972	185.6	4715	205.2	5212	38.3	972	26.7	678	6	6	6380	2900
3 Stage (FFL)	177	4500	84.2	2139	205.2	5213	224.8	5710	44.8	1138	33.3	845	6	6	5940	2700
	189	4800	88.1	2239	218.2	5543	237.8	6040	48.7	1238	37.2	945	6	6	5720	2600
PFD36 HD / PFG36 HD																
2 Stage	130	3300	87.8	2229	158.4	4023	178.0	4520	0.0	0	0.0	0	6	12	8000	3640
	157	4000	101.5	2579	185.9	4723	205.5	5220	0.0	0	0.0	0	6	6	7960	3620
2 Stage (FFL)	130	3300	87.8	2229	155.0	3938	178.0	4520	42.5	1080	37.2	945	6	12	8000	3640
	157	4000	77.6	1972	182.3	4630	205.2	5212	38.3	972	26.7	678	6	6	7660	3480
3 Stage (FFL)	177	4500	84.2	2139	201.9	5128	224.8	5710	44.8	1138	33.3	845	6	6	7300	3320
	189	4800	88.1	2239	214.9	5458	237.8	6040	48.7	1238	37.2	945	6	6	7220	3280

* This sheet is for reference only & products and specifications are subject to improvement and change without prior notices.



Ast= X+R+b+a
 B= Load length
 A= Clearance (200mm)





3600~8000 lbs Pneumatic

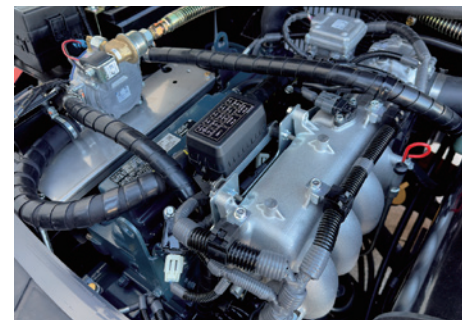
FEATURES Better Than Ever

These forklifts are Tailift's top-selling products, with a good reason! They were built specifically for terrain versatility and heavy lifting. Durability and reliability were our top priorities when designing these forklifts. Showcasing the latest advancements from Tailift, the user experience is better than ever.

The newly updated design is sure to meet the requirements of any worksite in terms of quality, performance, and efficiency. Improvements include LED efficient lighting, low-emission engines, and new transmissions. Our versatile Z Series Pneumatic forklifts feature a 3,600 to 8,000 lifting capacity.

EMISSIONS

Now with **Kubota engines** that comply with the latest EPA Tier 4 + EU Stage V regulations. The advanced EPA Tier 4 technology produces cleaner emissions and improved performance to exceed customers' expectations.



KUBOTA ENGINE

High-performance Z-Series internal components provide operators with reliable lifting power.



HEAVY-DUTY CHASSIS

Durability is ensured with our no-bolt design. Our chassis were built with safety in mind, these integral heavy-duty chassis give the driver more protection from falling loads.



EASY MAINTENANCE

- Open hood space increased! Enlarged, 80-degree angle, maintenance space makes service more accessible than ever.
- Durable and heat-resistant iron engine hood, able to withstand 990 lbs.
- LPG tank brackets, designed to make propane change-outs quick and easy.
- Integrated engine hood latches are durable and easily opened.
- Compact fuse boxes for easy and quick inspections.
- Easy to change the air filter.



LED LIGHTS

These power-efficient and sleek new LED lights last longer and are brighter than our previous designs!

SUSPENSION SEAT

High-efficiency shock absorbers and seat belts, ergonomically designed to relieve the pressure from the back & arm, and double-sided armrests provide additional support to enhance the operation comfort.



NON-SLIP ENTRY STEP

Increased foot space and non-slip grip make it safer to get on and off the forklift.

ADJUSTABLE STEERING WHEEL COLUMN

Easily tilted and adjusted to provide an ideal operating position and increased comfort !

HIDDEN TILT CYLINDER

To reduce scraping, enlarge access space, and improve design, tilt cylinders are internally stored.

CLEAR VISIBILITY

- Slotted Overhead Guard
- High Visibility Mast
- Open Rear Visibility
- Lowered Lift Cylinder



LCD INSTRUMENT PANEL

Large and easy to read, this instrument panel is in the optimal position for legibility. The display has multiple indicators to keep the operator informed on the forklift's functions.

REAR ASSIST GRIP WITH HORN BUTTON

Rear grip handles are equipped with a horn button for easy access while traveling in reverse. NOW on all-new Z Series forklifts !



Tailift Material Handling USA Inc.

USA — USA office

14710 John F Kennedy Blvd. Suite 100
Houston, TX 77032

Office: (281)-466-1000

FAX : (281)-864-3847

www.tailift-usa.com



Management System
ISO 9001:2015
www.tuv.com
ID: 9108630775



EDITION : DEB091-06-USA

